

## **PRODUCT SUMMARY**

Our innovative Hang-AR hanging system is CNC machined from aluminum and finished in an antiqued blackening process. The mounts are made specifically for the uppers of AR-10s and AR-15s. The system allows the upper as well as its optics and accessories to be stored and displayed openly and attractively, while the lower can be stored securely in a gun safe. This conserves valuable real estate in the safe while showcasing the owner's collection with elegance.

## **COMPANY OVERVIEW**

Aesir Enterprises LLC is a Woman-Owned and family operated company with headquarters in Seminole, Florida. Aesir is comprised of a manufacturing and R&D division (dba Aesir Manufacturing), as well as a tactical goods retail division (dba Adventure Gear South). Through both its manufacturing and retail efforts, Aesir is dedicated to continue to propel the firearms industry forward by empowering the American consumers in responsible, well-trained and well-equipped gun ownership.

## **MISSION STATEMENT**

Aesir is passionate about supporting the rights of all free citizens to protect their life, liberty and property at home and outdoors. We believe that responsible and well-trained gun owners are essential to a free society and that our mission as a part of the firearms community is to provide innovative solutions that support them in their everyday lives.

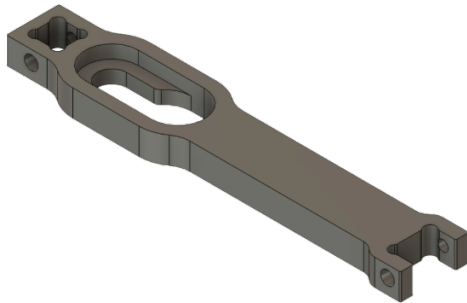
Through only providing products that are tested and tried as being best in class, we enhance the experience of today's outdoor adventurers, be they campers, hikers, hunters, collectors, or shooting sports enthusiasts; providing better options for safety, security, function and aesthetics.

# PRODUCT OVERVIEW

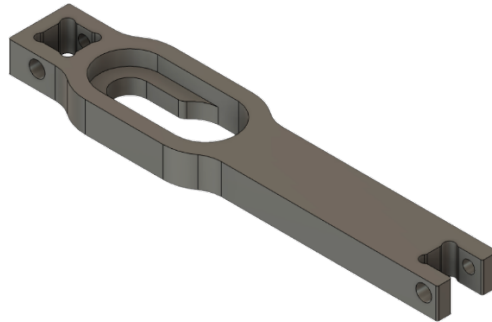
## The Mount:

The primary Hang-AR components are machined aluminum and finished using an antiqued blackening process. The mounts come in a version for AR-15 and AR-10. They connect to the corresponding upper receiver via the pivot and takedown pin connectors where the upper and lower are connected while in use. The mount can be hung on any Hang-AR Mounting Peg, which offers flexible hanging options to the consumer.

## AR-10 Mount



## AR-15 Mount



## Locking Pins:

Each Mount requires 2 locking pins. These pins are threaded to securely screw into the mount once it's on the upper receiver to minimize any risk of an upper receiver coming out of a Mount unintendedly.



### **Mounting Peg:**

The Mounting Peg is the portion of the Hang-AR that is secured to whatever surface the consumer wishes to hang their upper on. The main Hang-AR product comes with a standard hardware screw and drywall anchor rated for up to 75lbs for the mounting peg to be installed in a wall that can accept screws. The screw goes through the center of the Mounting Peg to secure it to the wall. The consumer will have to use their best judgement if they are installing to a surface where a different screw option should be considered.



### **Hang-AR System:**

The standard assembled Hang-AR system looks like the below. Each Hang-AR can hang one upper at a time. Consumers with multiple uppers can hang multiple Hang-Ars side by side, as long as they are spaced a minimum of 3" from one another and do not exceed the individual weight ratings for the screws/anchors being used.



**Mag Mount (Add-On Option):**

The Mag Mount (magnetic mount) is sold separately. This option allows the Mounting Peg to be used on the side of a safe or other magnetic surface. This expands the hanging options for the consumer and allows uppers to be moved from wall display areas to safe sides and back again whenever the consumer desires.



**Slat Mount (Add-On Option):**

The Slat Mount is sold separately. It was designed with the retailer and gunsmith in mind as it can be easily inserted into any standard slat wall and allow uppers to be hung vertically for more attractive and space-saving displays.



# FAQ

Welcome to our Hang-AR FAQ page! We've compiled answers to common questions about our innovative storage and display solution for AR-15 and AR-10 upper receivers.

If you have any additional questions, please don't hesitate to contact us!

## **What is Hang-AR, what does it do?**

Hang-AR is a storage and display system designed specifically for AR-15 and AR-10 upper receivers. It allows you to securely hang and showcase your upper receivers, optimizing storage space and protecting them from damage.

## **How does the Hang-AR work?**

Hang-AR includes a Hang-AR mount, locking pins, and a mounting peg. In the standard Hang-AR kit, there is a mounting peg that can be screwed onto your preferred wall. Then simply disengage your firearm's upper from the lower by removing the pivot and takedown pins, insert the upper receiver into the mount, and secure it with the locking pins, screwing them in completely. Insert the Mount over the Peg and let it slide down to lock onto the peg. Please see our Instructions page on our website or the included package instructions for more details.

## **Is Hang-AR compatible with different wall types?**

Yes, Hang-AR is designed for versatile installation. It can be easily mounted on various wall types to suit your storage and display preferences. Customer is responsible for making their best judgement in regards to the proper screws to be used for their application.

## **Can I use Hang-AR to display other firearms or accessories?**

Currently our system is customized specifically to fit in standard uppers for AR-15s and AR-10s only.

## **Does Hang-AR enhance firearm safety?**

Hang-AR allows the firearms owner to proudly display their uppers while keeping lowers safely in a secured location, such as a gun safe. This saves valuable space in the safe while providing an option for collectors to display the fruits of their hard work and investment. This means the collector doesn't have to choose between safety or display.

**What is the advantage of using the Mag Mount option?**

The magnetic "Mag Mount" allows you to conveniently hang your upper receivers on the side of your gun safe. It's a great option for conserving space and still having easy access to the upper and keeping it close to your other firearms parts.

**How do I clean and maintain my Hang-AR?**

Hang-AR is easy to maintain. Simply wipe it down with a clean, dry cloth as needed to keep it looking its best. Avoid harsh chemicals as it could impact the antiqued blackened finish.

**Is there a warranty on the Hang-AR?**

There is a limited lifetime warranty against structural manufacturing defects on the primary components of the Hang-AR (Mount, Locking Pins, Peg). The finish is not warrantied.

**Where can I purchase Hang-AR?**

Hang-AR is available for purchase through approved dealer and buying group relationships. See our website for a list of approved retailers.

**I want to carry Hang-AR in my store? How do I get started?**

Hang-AR welcomes new dealer relationships or we can guide you to appropriate buying group or distributor options. Please fill out our new dealer form on our website to get started and we'll contact you with further information.

**Company Logo:**

**AESIR**

The logo for AESIR features the word "AESIR" in a bold, sans-serif font. The letter "R" is stylized to incorporate a silhouette of a bird's head, facing right, with a small dot for an eye.

**Hang-AR Brand Logo:**

**HANG-AR**

The logo for HANG-AR features the word "HANG-AR" in a bold, sans-serif font. The "A" in "AR" is stylized with a diagonal slash through it, creating a dynamic, angular shape.

**CONTACT INFORMATION**

**Aesir Enterprises LLC  
10530 72<sup>nd</sup> Street, Ste 705  
Seminole, FL 33777  
Tel: 727-544-0626  
Email: [info@aesirmfg.com](mailto:info@aesirmfg.com)**

## **COMPANY SPOKESPERSON**

Amanda Nichols is the owner and CEO of Aesir Enterprises LLC. She was raised in southern Ohio's Hocking Hills, nestled in the foothills of the Appalachian Mountains. Amanda's rural childhood filled with camping, hiking, shooting, hunting, and fishing instilled a love and appreciation for the outdoors in her from a young age.

While working in her family's businesses, she pursued her higher education at Ohio University, obtaining an Associate's degree in Applied Science with a focus on Business Management. Her career progressed in various corporate roles in Finance, Project Management, and Operations Management for several large global corporations, including Degussa, Anchor Hocking Glass, and Raymond James Financial.

In 2011, Amanda and her husband, Andrew, relocated to Florida, driven by their preference for the region's mild climate and a passion for deep-sea fishing. With the unwavering commitment and support of her family, Amanda then transitioned her lifelong affinity for the outdoors and shooting sports into the establishment of Aesir Enterprises.



## SOCIAL MEDIA



[facebook.com/HangarSystembyAesir](https://facebook.com/HangarSystembyAesir)



[instagram.com/hangarsystembyaesir/](https://instagram.com/hangarsystembyaesir/)



PRESS RELEASE: FOR IMMEDIATE RELEASE

## Aesir Unveils the Hang-AR System, the Innovative Solution for AR-15 and AR-10 Upper Receivers

Seminole, Florida - As the shooting sports industry has continued to experience unprecedented growth, the contents of the average American gun safe has evolved to reflect the advancements in form and function that have occurred; a big part of this is the explosive increase in AR platform rifles. The modularity of their design has brought forth a new level of possibilities in customization and caliber changeout that the modern shooter finds attractive. However, this has also brought a new challenge to light...

### Summarizing the Challenge

AR platform owners in particular invest significantly in accessories and customization options for their AR's, displaying a passion and dedication for firearms that not only function great, but also look amazing. Unfortunately, these owners then find themselves struggling with how to safely store their custom firearm to protect its finish, optics, and other accessories.

### Protecting Your Investment: The Hang-AR Solution

Our innovative Hang-AR hanging system allows optics and other accessories to safely remain on the upper while being stored and displayed openly on a wall or side of a safe, while the lower can be stored securely in a gun safe. This conserves valuable real estate in the safe while showcasing the owner's collection with elegance.

### Features of the Hang-AR System:

- *The Hang-AR Mount*- Streamlined aluminum mount that attaches to the upper receiver and disappears when hung.
- *Locking Pins*- Used in place of the takedown and pivot pins to securely lock the upper receiver to the Hang-AR Mount.
- *Mounting Peg*- Can be installed onto various surfaces to easily use the Hang-AR Mount wherever the customer prefers; whether on a wall, on the side of a safe with the Mag Mount option, or even on a slat wall in a retail showroom with the Slat Mount option.

### Elevate, Protect, and Showcase

Our innovative Hang-AR system is not just about storage; it's about showcasing the dedication and passion you invest in your firearms. We believe that responsible firearm owners deserve more than just a storage solution. They deserve a platform that proudly displays their commitment to firearm ownership, ensuring that these investments are celebrated and safeguarded.

### Join Us on a Journey of Pride and Protection

The Hang-AR System was proudly developed and made in the USA. For detailed product information and purchase options, we invite you to visit the Hang-AR website at [HangarSystem.com](http://HangarSystem.com). Discover how the Hang-AR can protect your upper receivers from damage while showcasing their beauty and increasing your secure storage space.

*About Aesir Enterprises: Aesir is a Woman-Owned and family operated manufacturing and R&D company headquartered in Seminole, FL. We're dedicated to crafting innovative solutions that continue to propel the firearms industry forward in the mission to empower the modern responsible and well-trained gunowner.*

